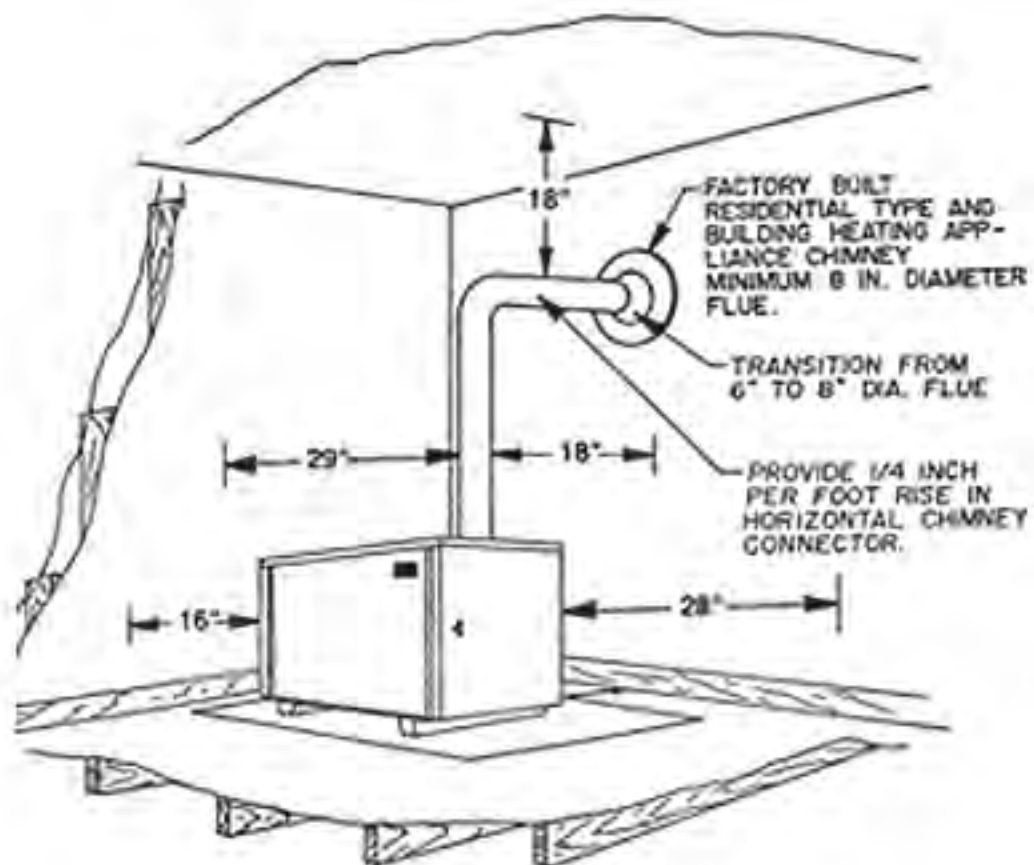
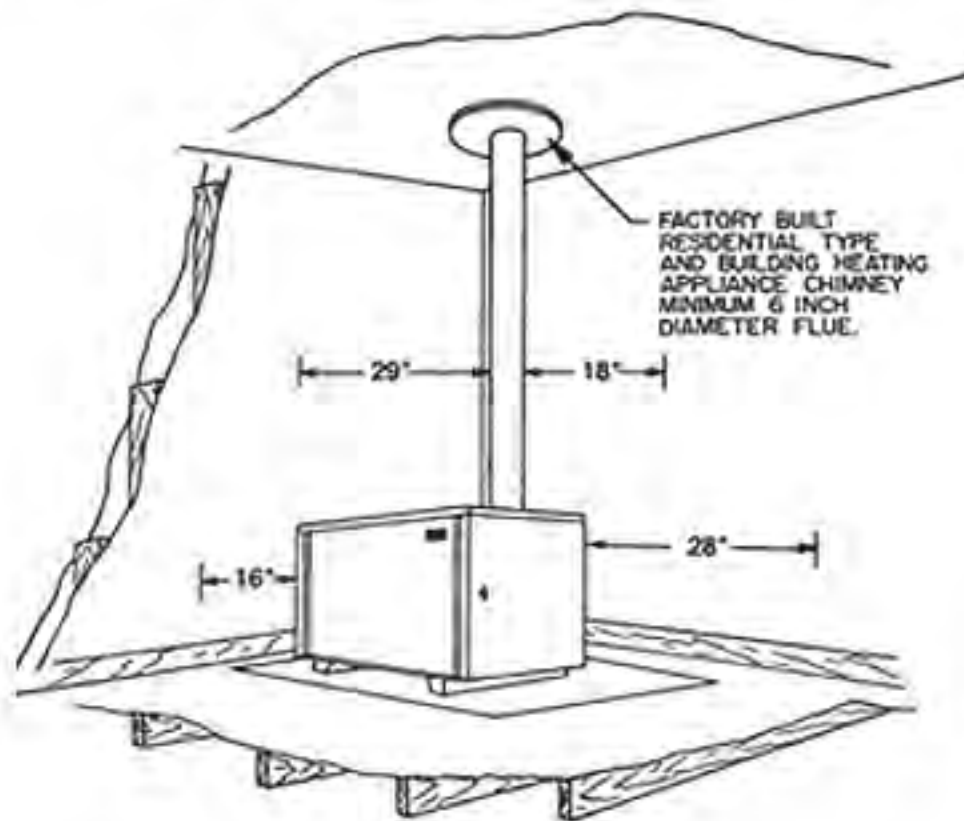
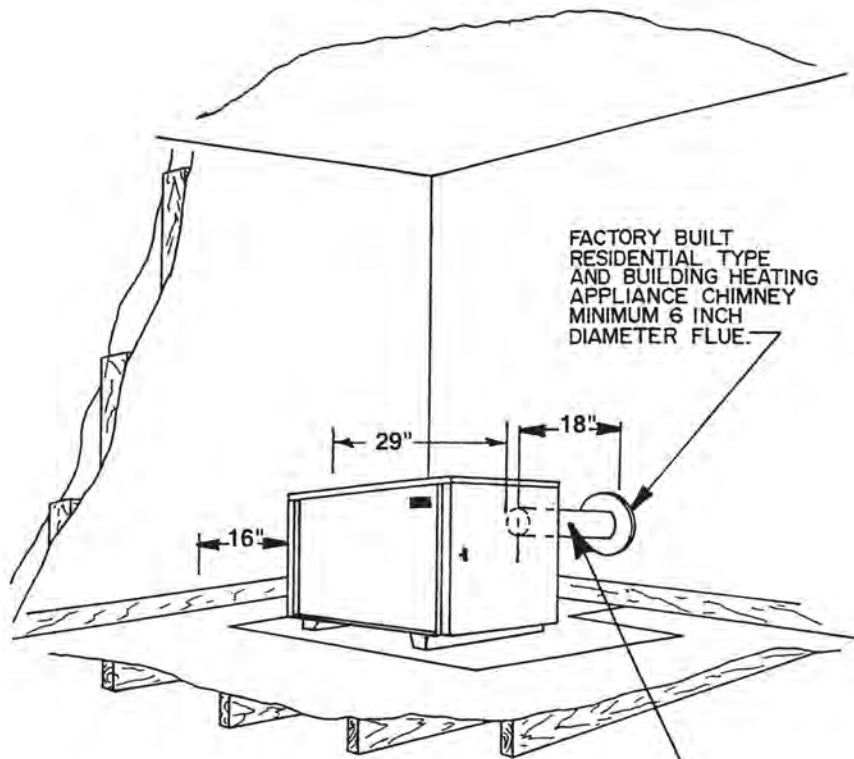
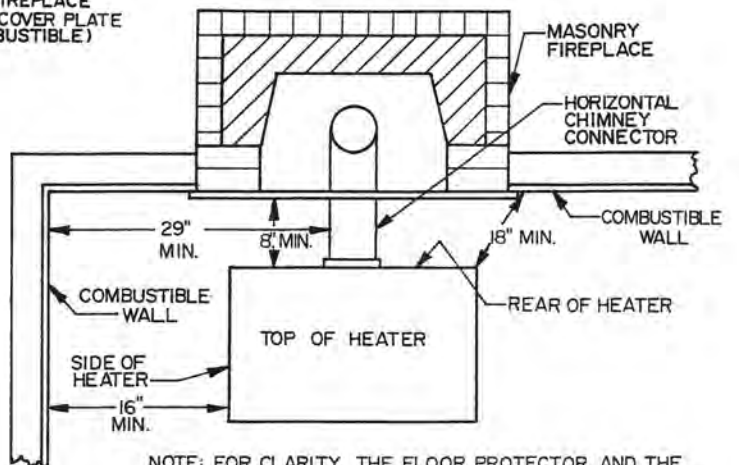
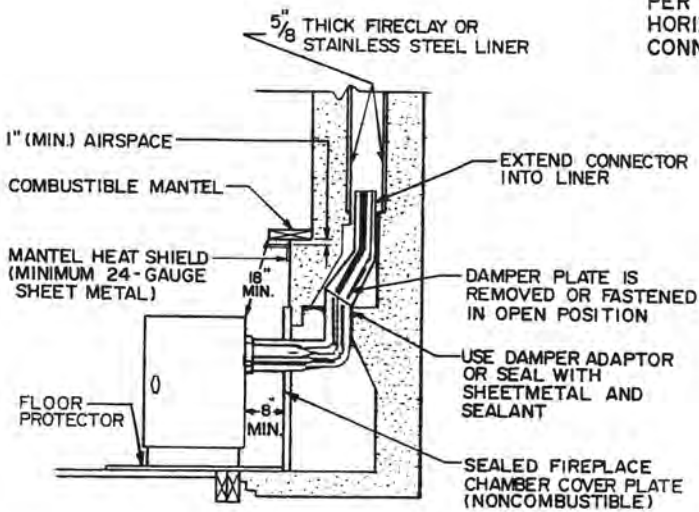


BCAC Clearance to Combustibles





PROVIDE 1/4 INCH PER FOOT RISE IN HORIZONTAL CHIMNEY CONNECTOR.



NOTE: FOR CLARITY, THE FLOOR PROTECTOR AND THE MANTEL HEAT SHIELD ARE NOT SHOWN BY THIS PLAN VIEW.